

PLACKA™

Placka Instruments India Pvt. Ltd.

MIDI - AIR FILTER PRESSURE REGULATORS



Your Air-actuated Instruments and Equipments work at their best for a long period when you feed with clean dry air at a constant prescribed pressure. PLACKA MPR Series Air Filter-cum-Pressure Regulators remove completely the moisture and dust particles, and provides the exact pressure constantly at varying air demands.

This economically priced unit is extensively used for Process Control Instruments, Air-actuated Control Valves, Cylinders and other equipments, not requiring large bowl capacity.

OPERATION

The primary air through the inlet port, passes through the filter element, leaving down the contaminants in the bowl. When the knob is adjusted suitably, the springs act on the diaphragm which in turn actuates the main valve to allow the pure secondary air at a particular pressure to the outlet. The main valve is supported between the relief valve and the main valve spring, eliminating the need for stem guiding. Toggle action between main valve and relief valve completely eliminates the alignment problems and thus, erratic output pressure variation.

REGULATION CHARACTERISTICS

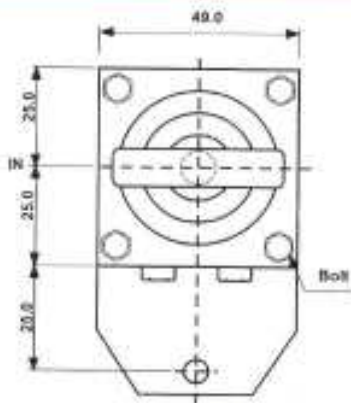
The secondary pressure at the bottom of the diaphragm balances against the set position of the main spring to keep the main valve at the adjusted position. When the secondary pressure rises above the set point, it pushes the diaphragm away from the relief valve and the excess air finds its way to atmosphere through the bleed hole.

SPECIFICATIONS

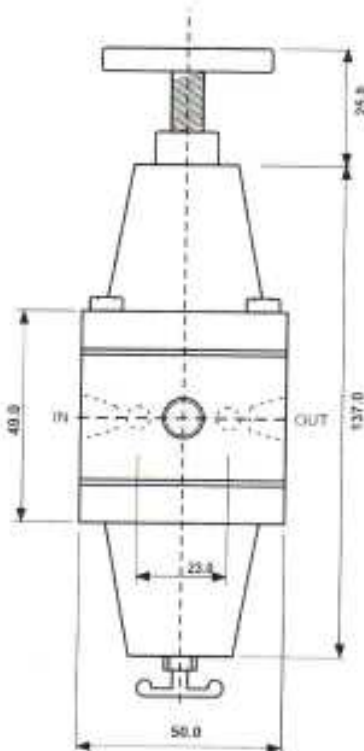
Service	: Air	Body Spring Case and	
Max	: 18kg/cm ²	Filter Bowl	: Die Cast Aluminium alloy
Enclosure	: Weather Proof (Ip65)	Fitter	: Sintered Bronze
Outlet Pressure Ranges	: 0-2.1 kg to 4.2 kg/cm ²		: 5/15/25/40 Microns
	: 0-7 kg/cm ²	Main Valve	: Neoprene Moulded on SS
End Connections	: 1 inlet, 1 outlet and		: Stem
	: 1 pressure gauge port	Drain Valve	: Brass-Standard (SS on request)
Inlet Connection Size	: 1/8", 1/4" - NPT(F) / BSP (F)	Main Valve Spring	: SS
Bowl Capacity	: 70cc (Approx.)	Diaphragm	: Nylon Reinforced Neoprene
Ambient Temperature	: Upto 80°C	Main Spring	: Spring Steel
Adjustment knob with nut	: Unbreakable plastic moulded on C.S. Stem (SS on request)	Mounting	: Surface or Panel

PLACKA™

Placka Instruments India Pvt. Ltd.



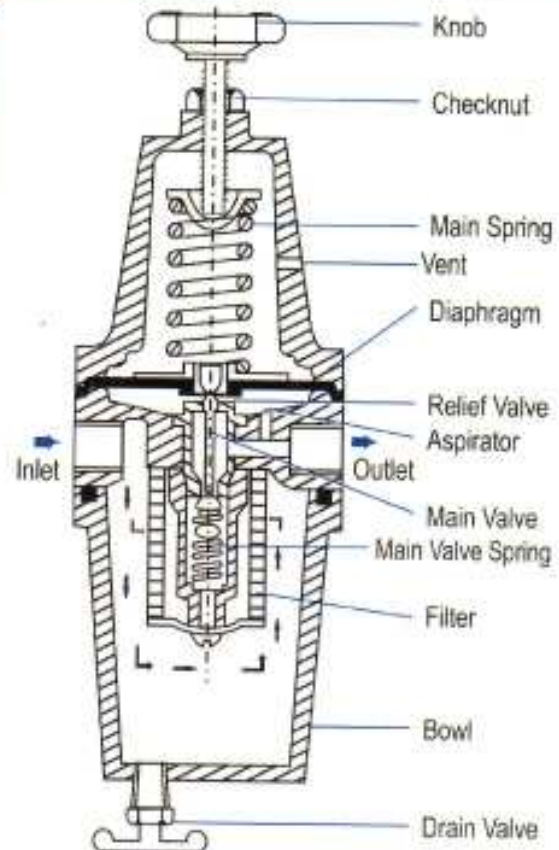
TOP VIEW



FRONT VIEW

MIDI-AIR FILTER PRESSURE REGULATOR
MOUNTING DETAIL

NOTE : ALL DIMENSION ARE IN MM



Cross Sectional Diagram of
Midi-Air Filter Pressure Regulator

FLOW CHARACTERISTICS

When air flow from the Regulator is increased the Secondary Pressure falls below the set point. This 'pressure drop' in supply will force your equipment to function erratically. But PLACKA Air Set reduces the pressure drop successfully by an aspirator. The aspirator connects the outlet port and the chamber under the diaphragm. When flow increases, the aspirator creates a lower pressure below the diaphragm, which in turn forces the main valve to open further and thus more air flows in, to compensate for the pressure drop.

Manufactured & Marketed by :

PLACKA INSTRUMENTS INDIA PVT. LTD.

No.5, Ramamoorthy Street, Nehru Nagar, Chrompet, Chennai - 600 044, INDIA

Phone : 044-2223 1559, 2223 4562 Fax : 044-222 6984

E-mail : sales@plackainstruments.com / Website : www.plackainstruments.com